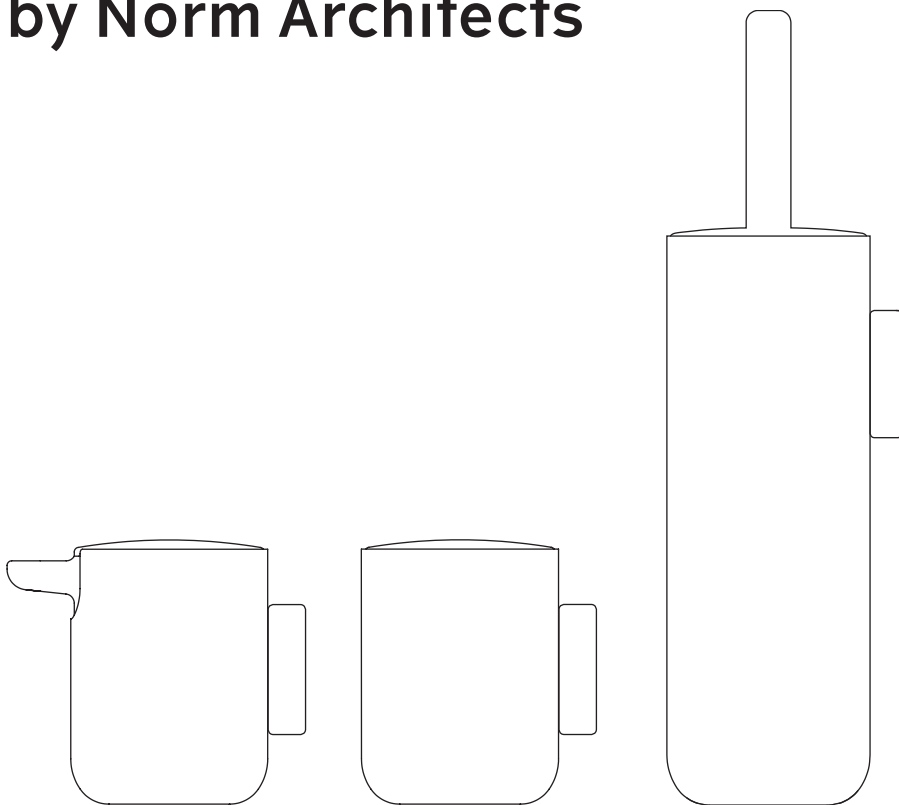


**Soap Pump, Wall**

**Toothbrush Holder, Wall**

**Toilet Brush Holder, Wall**

**by Norm Architects**



MENU

**Congratulations:**

Congratulations with your new bath item designed by Norm Architects. We hope you will enjoy using this item and follow these instructions to ensure correct installation. These instructions are provided for your safety. It is important that the instructions are read carefully and completely before assembling.

**In the range we have:**

Soap Pump, Wall

Toothbrush Holder, Wall

Toilet Brush Holder, Wall

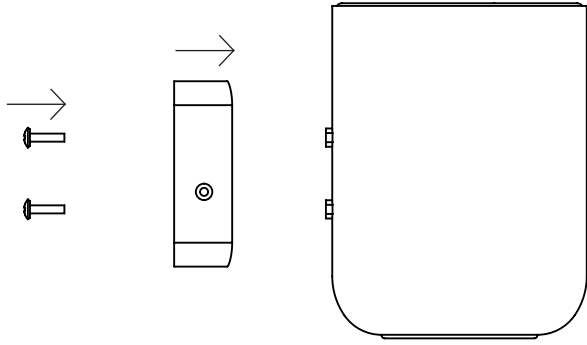
The wall fitting is the same for all three products. In this instruction the Toothbrush Holder is shown, but the wall mounting method is the same.

Use screws and wall plugs that are suitable for the walls in your home. If you are uncertain as to which types of screws/wall plugs to use, you should ask your hardware store.

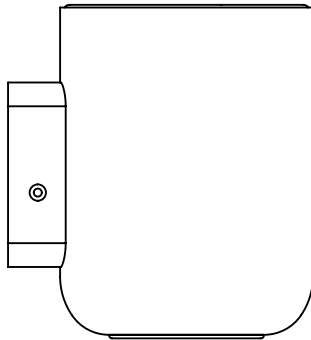
**Correct Disposal of this product**

This marking indicates that this product should not be disposed with other household wastes throughout the EU. To prevent possible harm to the environment or human health from uncontrolled waste disposal, recycle it responsibly to promote the sustainable reuse of material resources. To return your device, please use the return and collection system or contact the retailer where the product was purchased. They can take this product to environmentally safe recycling.

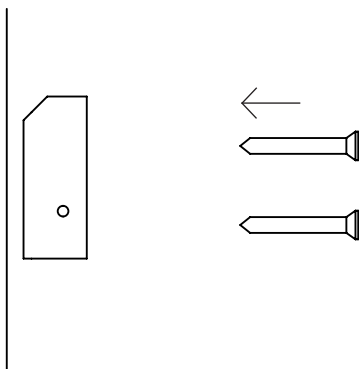
**1**



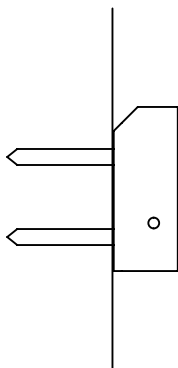
**2**



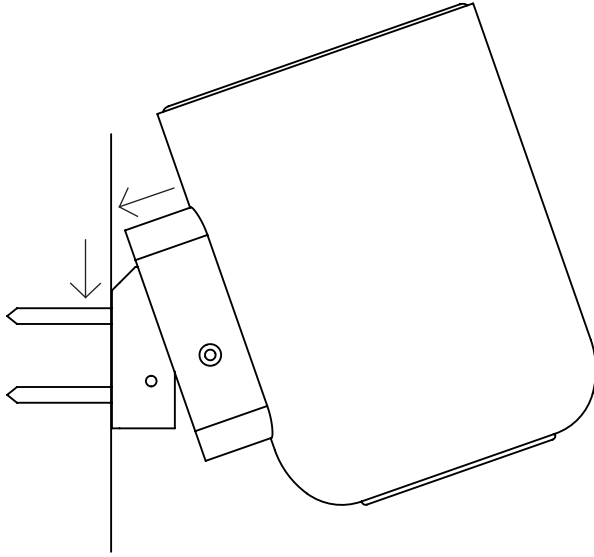
3



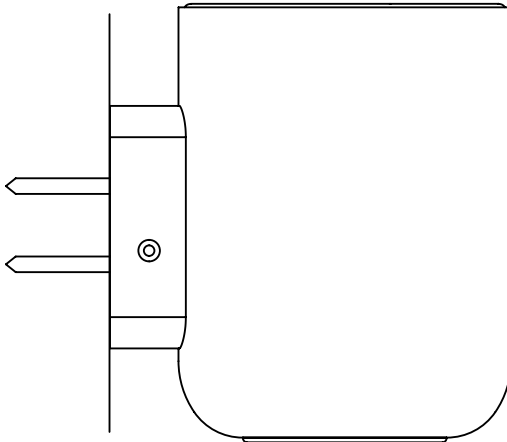
4



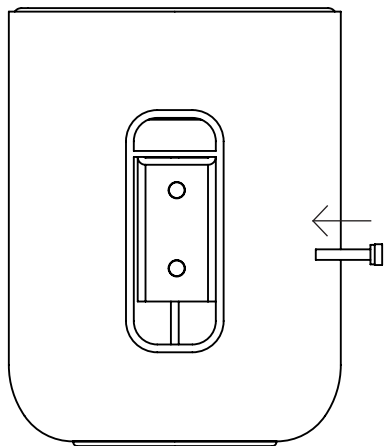
5



6



**7**



**8**

